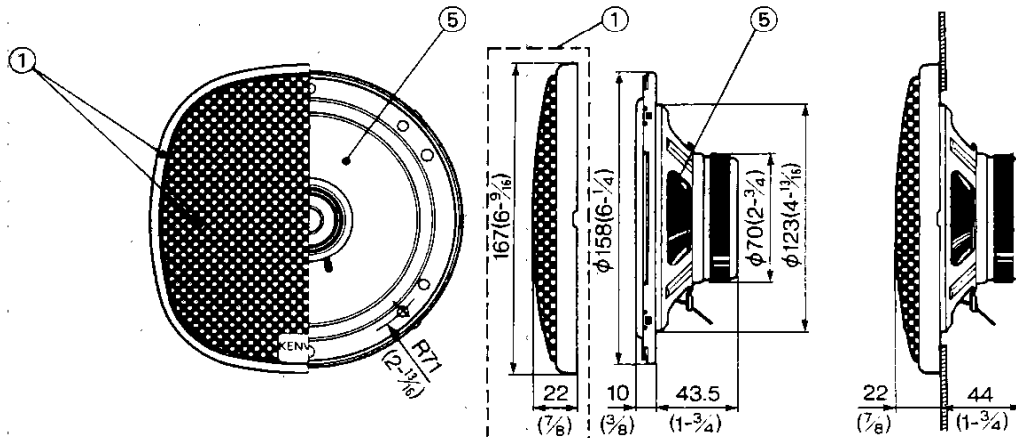


KFC-1664 SERVICE MANUAL

KENWOOD




©1992-11 PRINTED IN JAPAN
B51-6532-00(MC) 1734

EXTERNAL VIEW



UNIT: mm (inch)

PARTS INCLUDED

- ②  4.5m(15ft)..... × 2
- ③  $\phi 4\text{-}30(\frac{3}{16}\text{-}1\frac{3}{16})$ × 6
- ④  × 6

SPECIFICATIONS

- Speakers**
- Woofers 158mm(6in) Water Resistant Cone Type
 - Tweeters 35mm(1 $\frac{3}{8}$ in) P.I.Film Balanced Dome Type
 - Peak Power 60 Watts
 - Frequency Response 50Hz~20,000Hz
 - Sensitivity 91dB/W at 1m
 - Impedance 4 Ohms
 - Weight Per Speaker With Grille 1,220g (2.69lb)/Pair.

We follow a policy of advancements in development.
For this reason specifications may be changed without notice.

PARTS LIST

★ New parts
Parts without **Parts No.** are not supplied.
Les articles non mentionnés dans le **Parts No.** ne sont pas fournis.
Teile ohne **Parts No.** werden nicht geliefert.

Ref No.	New Parts	Parts No.	Description
①		B06-0441-08	" Grille ass'y
②		E30-5135-08	Cord set
③ ④		N99-1086-18	Screw set
⑤	★	T15-0223-08	Speaker

KENWOOD CORPORATION

Aive Meike 2-5 1-chome Shibuya Shibuya-ku Tokyo 150 Japan

KENWOOD U.S.A. CORPORATION
P.O. BOX 22745-2201 East Dominguez St. Long Beach CA 90810 U.S.A.
550 Clark Drive, Nutley Drive, New Jersey 07620 U.S.A.
89-894 Iwana St. Aiea, Hawaii 96701

KENWOOD ELECTRONICS CANADA INC.
6070 Kesirel Road, Mississauga, Ontario, Canada L5T 1S8

KENWOOD ELECTRONICS LATIN AMERICA S.A.
P.O. BOX 55-2791, Piso 6 Plaza Chase, Cl. 47 y Aquilino de la Guardia, Panama, Republic de Panama

TRIO-KENWOOD U.K. LIMITED
KENWOOD House, Dwight Road, Watford, Herts, WD1 8EB, United Kingdom

KENWOOD ELECTRONICS BENELUX N.V.
Michelessteenweg 418 B-1930 Zaventem, Belgium

KENWOOD ELECTRONICS DEUTSCHLAND GMBH
Reinholdet Str. 15 6056 Hausenstamm, Germany

TRIO-KENWOOD FRANCE S.A.
13 Boulevard Ney 75018 Paris, France

KENWOOD LINEAR S.p.A.
20125 Milano-Via Arde, 50 Italy

KENWOOD ESPAÑA S.A.
Borvia 239-08020 Barcelona, Spain

KENWOOD ELECTRONICS AUSTRALIA PTY. LTD. (A.C.N. 001 499 074)
P.O. BOX 504, B Figtree Drive, Australia Centre, Homebush, N.S.W. 2140, Australia

KENWOOD & LEE ELECTRONICS, LTD.
Unit 3712-3724, Level 37 Tower 1, Metroplaza, 223 Hing Fong Road, Kwai Fong, N.T. Hong Kong

KENWOOD ELECTRONICS SINGAPORE PTE LTD
No. 1 Genting Lane # 07 00, Singapore 1334